

# SERIES 55 - 51 SAFETY VALVES



## SERIES 51 - 55

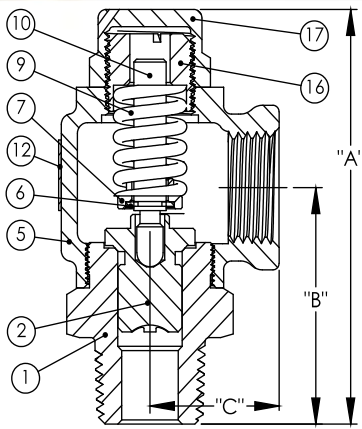
Series 51 non-code liquid valves are smaller with a maximum pressure of 750 psig. Series 55 are small compact non-code (liquid) water relief valves with a max pressure of 200 psig. Temperatures -20°F (-29°C) to 406°F (208°C)

### Usages:

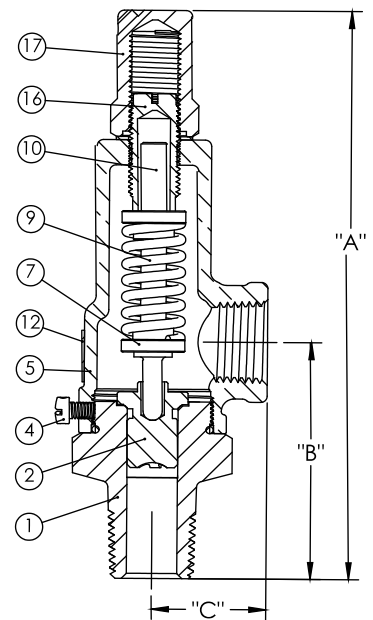
- Compressors, Air and Gas receivers
- Gas lines, Steam lines
- Piping system/tanks
- Steam cleaners, Sterilizers, Autoclaves

SERIES 51 - 55						
SERIES	INLET	OUTLET	DIMENSIONS - in (mm)			WEIGHT Lbs. (Kg)
			A	B	C	
51	1/4"-3/8"-1/2"	1/2"	5-1/4" (133)	2-1/4" (57)	1-1/8" (29)	1 (0.5)
55	1/4"-3/8"-1/2"	1/2"	3" (76)	1-3/4" (44)	1-1/8" (29)	0.6 (0.3)

SERIES 51 AND 55			
ITEM	DESCRIPTION	BRASS OPTION	STAINLESS OPTION
1	Body	B16 Brass	SA479-316 SS
2	Disc	B62-C83600	SA479-316 SS
4	Lock Screw	B16 Brass	B16 Brass
5	Bonnet	B584-C84400	B584-C84400
6	Support	Stainless	Stainless
7	Spring Plate	B16 Brass	B16 Brass
9	Spring	302 SS	302 SS
10	Spring Post	B16 Brass	B16 Brass
12	Nameplate	Stainless	Stainless
16	Pressure Screw	B16 Brass	B16 Brass
17	Hood	B16 Brass	B16 Brass



Series 55



Series 51

## SERIES 51 AND 55 GPM @ 25% OVER SET PRESSURE

Series 51	psig	10	20	30	40	50	75	100	150	200	300	400	500	600	750
	GPM	3.3	4.6	5.7	6.5	7.3	8.9	10	13	14	18	21	23	25	28

Series 55	psig	10	20	30	40	50	75	100	150	200
	GPM	3.3	4.6	5.7	6.5	7.3	8.9	10	13	14

## SERIES 51 AND 55 PART NUMBERS

55		B	A	1	M	2	U	1	125
SERIES/DESCRIPTION	INLET/OUTLET	METALS	CONNECTION	SEATING	CAP	SERVICE	OPTIONS	SET	
55	Side Outlet Closed Cap	A- 1/4" x 1/2" B- 3/8" x 1/2"	A- Brass Bronze 2- NPT MxF NPT FxF	M- Metal	2- Closed Cap	U- Non-code Liquid	1- None 2- Chrome Plating 3- O2 Cleaned	Ex.125	
51		C- 1/2" x 1/2"	B- 316 SS Bronze						