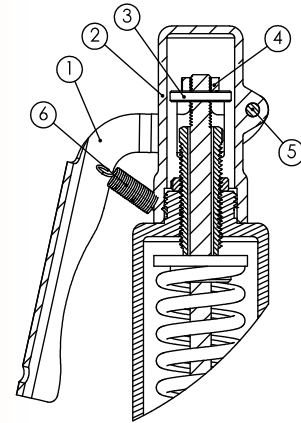
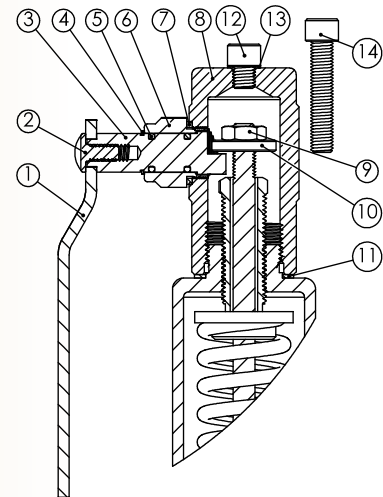


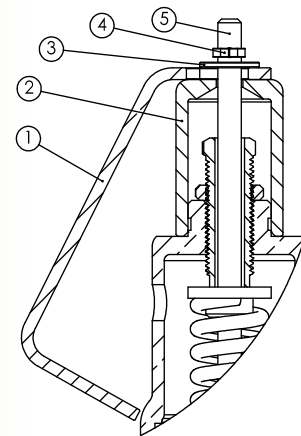
<b>Open Lift Lever</b>				
Item	Description	Material Options		
		Brass	Carbon Steel	Stainless Steel
1	Handle	C1018/Plated	C1018/Plated	C1018/Plated
2	Hood	Anodized Alum.	Anodized Alum.	Anodized Alum.
3	Lifter Nut	B16 Brass	SA479-316 SS	SA479-316 SS
4	Jam Nut	18-8 Stainless	18-8 Stainless	18-8 Stainless
5	Lift Lever Pin	B16 Brass	SA479-316 SS	SA479-316 SS
6	Spring	Optional Anti-Vibration Spring		Stainless



<b>Packed Lift Lever</b>				
Item	Description	Material Options		
		Brass	Carbon Steel	Stainless Steel
1	Handle	B16 Brass	B16 Brass/Plated	B16 Brass/Plated
2	Handle Screw	Steel/Plated	Steel/Plated	Steel/Plated
3	Cam	B16 Brass	SA479-316 SS	SA479-316 SS
4	Retaining Ring	Steel/Plated	17-7 SS	17-7 SS
5	O-Rings	Viton	Viton	Viton
6	Cam Nut	B16 Brass	SA479-316 SS	SA479-316 SS
7	O-Ring	PTFE	PTFE	PTFE
8	Hood	B16 Brass	SA108-C1018	SA479-316 SS
9	Jam Nut	18-8 Stainless	18-8 Stainless	18-8 Stainless
10	Lifter Nut	B16 Brass	SA479-316 SS	SA479-316 SS
11	Hood Seal	PTFE	PTFE	PTFE
12	Plug	18-8 Stainless	12, 13, 14 are part of the additional Gag Screw option	
13	Washer	PTFE		
14	Gag Screw	18-8 Stainless		



<b>Easy Test Lever</b>				
Item	Description	Material Options		
		Brass	Carbon Steel	Stainless Steel
1	Handle	C1018/Plated	C1018/Plated	C1018/Plated
2	Hood	B16	B16	B16
3	Lift Washer	B16 Brass	B16 Brass	B16 Brass
4	Cotter Pin	18-8 Stainless	18-8 Stainless	18-8 Stainless
5	Spring Post	B16	B16	B16



Lift lever options for Series 69, 88, 560 thru 573, 740 thru 743  
Easy Test Lever for Series 560 thru 573 only

Lifting Device as required by the ASME, ASME Section VIII: UG136(3)

Each pressure relief valve on air, water at the valve inlet that exceeds 140°F (60°C), excluding over-pressure or relief events, or steam service shall have a substantial lifting device which when activated will release the seating force on the disc when the pressure relief valve is subjected to a pressure of at least 75% of the set pressure of the valve.