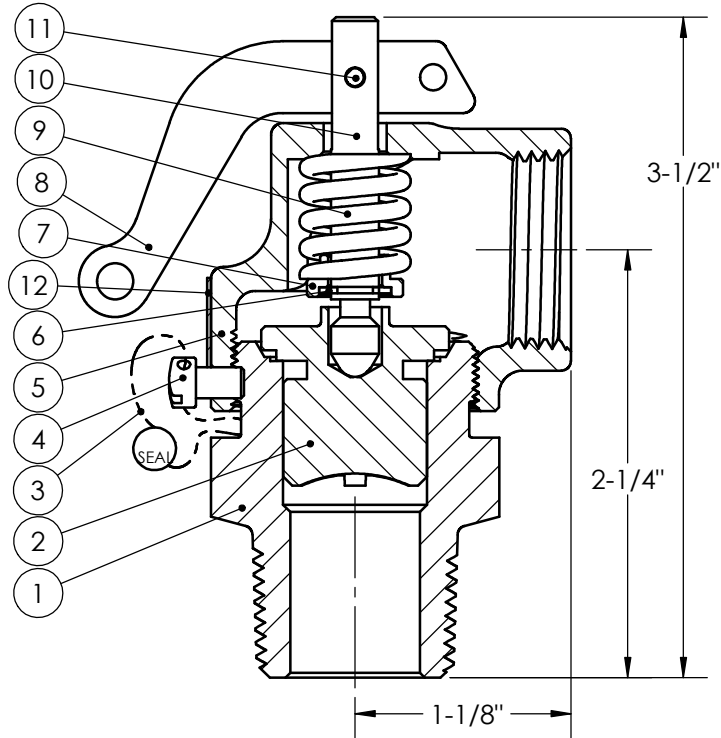


Aquatrol Inc. is the owner of this print and design thereon



Item	Description	Model/Material	
		Brass	Stainless
1	Body	B16 Brass	SA479-316 SS
2	Disk	B62-C83600	SA479-316 SS
3	Seal Wire	Steel / Lead	Steel / Lead
4	Lock Screw	B16 Brass	B16 Brass
5	Bonnet	B584-C84400	B584-C84400
6	Support	Stainless	Stainless
7	Spring Plate	B16 Brass	B16 Brass
8	Lift Lever	Steel / Plated	Steel / Plated
9	Spring	302 SS	302 SS
10	Spring Post	B16 Brass	B16 Brass
11	Lift Pin	B16 Brass	B16 Brass
12	Nameplate	Stainless	Stainless

Series 125
 ASME - NB Section VIII Air/Gas/Steam
 Inlet Sizes 1/2" - 3/4" - 1"
 Outlet Size 3/4"
 Max Temp: 406°F
 Max Pressure: 200 P.S.I.

Aquatrol VALVE COMPANY, INC.	
PART NAME	Series 125
Date: 4/14/2016	Part Number
Drawn by:	3-125-00
Approved by:	

Revised: 10/09/2020